

## Programming

Press and hold the MRK and SEN buttons to access Programming. To exit Programming, simply wait a few seconds without pressing a button. The unit will display **Completed** to confirm your selections.

Press MRK to go from one category to the next		Press VOLUME + or – to change your setting within a category
User Mode	<b>Advanced* Novice</b>	Access and customize all Settings and Preferences Access and customize units and display color, (all other Settings are set to factory defaults) <i>NOTE: Switch back to Advance mode to view all Preferences</i>
Pilot	<b>Scan Bar* Full Word</b>	Scanning Bar with Full Word Full Word: AutoScan, Auto NoX, or Highway
Display Color	<b>Copper*/Blue/Green/Red</b>	Set color to match your vehicle's dash display
Speed Display	<b>On* Off</b>	Displays current speed Displays battery voltage
Cruise Alert	<b>Off / 20-160 mph 20 mph*</b>	Offers double beep alert tones below specified speed
Over Speed	<b>Off / 20-160 mph 70 mph*</b>	Reminds you when you exceed a specified speed
Meter Mode	<b>Standard* Tech Threat Basic</b>	Single band with bar graph of signal strength Single band with numeric frequency Multiple bands with bar graph of signal strengths Simple messages replace bands: <b>Caution</b> (if traveling below cruise alert limit) <b>Slow Down</b> (if traveling above cruise alert limit)
Tones	<b>Standard* Mild</b>	Standard Beltronics alert tones Mild doorbell chime alert tones
AutoMute	<b>On* / Off</b>	Automatically reduces audio during alert
AutoLock	<b>On* / Off</b>	Automatically stores and locks out false alarms
Units	<b>English*/Metric</b>	Units for distance and speed
Language	<b>English*/Español</b>	Language for voice and text
Voice	<b>On* / Off</b>	Voice announcements
GPS Filter	<b>On* / Off</b>	Enables GPS-powered features

6

AutoPower	<b>Off</b>	Power turns on or off depending on your vehicle's ignition type (constant power or switched) Powers off automatically after 1 hour Powers off automatically after 2 hours Powers off automatically after 4 hours Powers off automatically after 8 hours <i>NOTE: If AutoPower is on, the display screen goes blank after 30 minutes to save screen life. Display screen will turn on automatically after you reach 10 MPH</i>
	<b>1 Hour 2 Hours 4 Hours* 8 Hour</b>	<i>NOTE: AutoPower only works with constant power ignition</i>

Band Enables	<b>Default* Modified</b>	Default Settings for North America Customize the bands you want to monitor
--------------	------------------------------	---

**Press SEN to go from one band category to the next**      **Press VOLUME + or – to change your setting within a category**

X Band	<b>On* / Off</b>	Automatically rejects traffic flow sensors-monitoring false alarms
K Band	<b>On* / Off</b>	
Ka Band	<b>On* / Off</b>	
Ka-POP	<b>On / Off*</b>	
Laser	<b>On* / Off</b>	
TSR	<b>On* / Off</b>	

Marker Enable	<b>On* / Off</b>	Other, Red Light Camera, Red and Speed Camera, and Speed Trap
	<b>Modified</b>	Customize the types of locations you want to mark for future reference

**Press SEN to go from one marker category to the next**      **Press VOLUME + or – to change your setting within a category**

Other	<b>On* / Off</b>	Other location
Redlight	<b>On* / Off</b>	Red light camera
Red & Speed	<b>On* / Off</b>	Red light & speed camera
Speed Cam	<b>On* / Off</b>	Speed camera
Speed Trp	<b>On* / Off</b>	Speed trap

Clear Locations	<b>Marked Lockouts Defender Format</b>	Clear all user Marked locations. Press SEN button to confirm Clear all lockouts. Press SEN button to confirm Clear all DEFENDER data. Press SEN button to confirm Clear DEFENDER database, all markers, and all lockouts. Press SEN button to confirm
-----------------	--	---

\*Default Setting

7

## Contact Us

866.468.0322 • [Beltronics.com](http://Beltronics.com)

Beltronics USA, Inc.  
5442 West Chester Road, West Chester OH 45069

**Beltronics One Year Limited Warranty**  
**What this warranty covers:** Beltronics USA, Inc. ("Beltronics") warrants your Product against all defects in materials and workmanship.  
**For how long:** One (1) year from the date of original purchase from an authorized Beltronics dealer.

**What we will do:** If a breach of warranty occurs, Beltronics, at its discretion, will either repair or replace your Product free of charge.

**What we will not do:** Beltronics will not pay shipping charges that you incur for sending your Product to us.

**What you must do to maintain this warranty:** Show original proof of purchase or receipt from an authorized Beltronics dealer.

**Warranty exclusions:** This warranty does not apply to your product under any of the following conditions: 1. The serial number has been removed or modified. 2. Your product has been subjected to misuse or damage (including water damage, physical abuse, and/or improper installation). 3. Your product has been modified in any way. 4. Your receipt or proof-of-purchase is from a non-authorized dealer or internet auction site, including E-bay, U-bid, or other non-authorized resellers. 5. You are not the original purchaser of the Product from an authorized dealer or did not receive it as a gift from the original purchaser of the Product from an authorized dealer.

**To obtain service:** 1. Contact Beltronics (1-800-341-2288) to obtain a Return Authorization Number. 2. Properly pack your Product and include: your name, complete return address, written description of the problem with your Product, daytime telephone number, and a copy of the original proof of purchase or receipt. 3. Label the outside of the package clearly with your Return Authorization Number. Ship the Product pre-paid (insured, for your protection) to: Beltronics USA, Inc., 5442 West Chester Rd., West Chester, OH 45069.

**LIMITATION OF WARRANTY:** The obligations set forth above are Beltronics' sole obligations and your exclusive remedy. Beltronics makes no other express warranty. Any implied warranty of merchantability or fitness for a particular purpose that may be applicable to the Product is limited in duration to the duration of this warranty. Some States do not allow limitations on how long an implied warranty lasts, so the above limitation may not apply to you. BELTRONICS SHALL NOT BE LIABLE FOR CONSEQUENTIAL, SPECIAL OR INCIDENTAL DAMAGES INCLUDING, WITHOUT LIMITATION, DAMAGES ARISING OUT OF THE USE, MISUSE OR MOUNTING OF THE PRODUCT. Some States do not allow the exclusion or limitation of incidental or consequential damages, so the above limitation or exclusion may not apply to you. Beltronics is not responsible for products lost in shipment between the owner and our service center. Other legal rights: This warranty gives you specific legal rights, and you may also have other rights which vary from State to State.

©2015 Beltronics USA, Inc. Beltronics®, GT-7™, Escort Live!™, Defender®, AFR®, TrueLock™, SmartShield®, SpecDisplay™, AutoSensitivity™ and ExpertMeter™ are trademarks of Beltronics USA, Inc.. Manufactured in Canada. Features, specifications and prices subject to change without notice.

FCC NOTE: Modifications not expressly approved by the manufacturer could void the user's FCC granted authority to operate the equipment.  
FCC ID: QL4G7M5

This device complies with part 15 of the FCC rules. Operation is subject to the following two conditions: (1) This device may not cause harmful interference, and (2) this device must accept any interference received including interference that may cause undesired operation.

## Notes for Programming

For descriptions of features and functions available when connected to SmartCord Live with ESCORT Live visit [EscortInc.com](http://EscortInc.com) and download the SmartCord Live user manual for your iOS or Android OS smartphone. Also visit [Beltronics.com](http://Beltronics.com) for the GT-7 Owner's Manual.

To view serial number and software revision press MRK and MUTE while powering on detector.

To restore GT-7 to its original factory Settings, press and hold SEN and BRT while turning the power on. A **Restored** message will display, acknowledging the reset.

## Software Updates

GT-7's red light and speed camera database is easily updated using our exclusive detector software tools found on our web site. Firmware, or the operating software for the detector, can also be updated using these tools.

In order to have access to these updates, you must register your GT-7 at [www.Beltronics.com](http://www.Beltronics.com). Once registered, you will receive email notifications that updates are now available for your database or firmware. To handle your software and DEFENDER updates you need to connect your GT-7 to a computer first. You can connect GT-7 to a computer via USB/USB Mini B cable.

8

# Live life in the passing lane.



GPS-accelerated accuracy blocks false alarms.

**BELTRONICS**™ **GT-7**

Extreme radar / laser detection protection.

Powerful Digital Signal Processor | Instantly clear voice alerts | Convenient magnetic mount system

Quick Reference

## Congratulations



Take the freedom of the road back with the supercharged **Beltronics GT-7**, equipped with GPS technology accuracy to eliminate false alerts.

Go to [Beltronics.com](http://Beltronics.com) for full featured Owner's Manual.



GT-7 features a new multi-color



OLED display.

Brilliant graphics



illuminate intuitive

icons that identify



the type of threat at a glance.



Compatible with **ESCORT (Live!)**

## GT-7 Features

- GT-7's HD Performance accurately identifies real threats sooner than any other detector, providing more advanced warning when you need it.
- GT-7's GPS location-based intelligence automatically locks out false alerts and allows you to mark locations for future reference.
- GT-7 gives you access to DEFENDER Database, which warns you of verified speed traps, speed cameras, and red light cameras.
- Plus, it's compatible with EscortLive, the award-winning ticket protection network that warns you of upcoming alerts received and reported by other users in the area, and gives you access to local speed limit data for over-speed alerts (requires optional SmartCord Live and app subscription).

## Installation

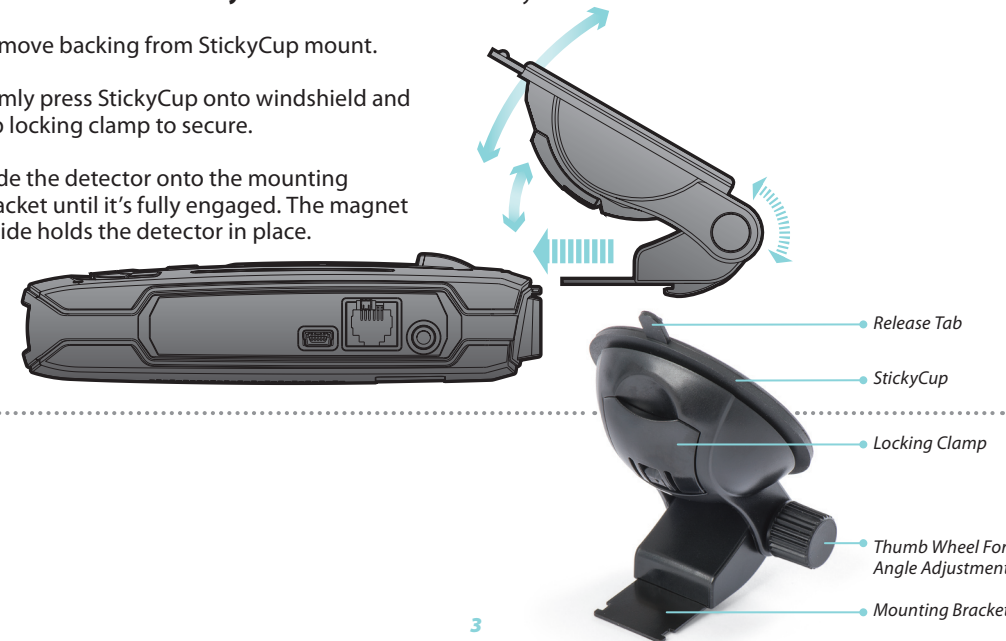
Your new detector comes with our latest **Magnet Mount**. Simply slide the detector onto the mounting bracket fully and that's it. To remove the detector from the mount, simply pull the detector off the mount.

### Mounting Tips:

- Center of windshield between driver and passenger.
- Ensure clear view of road ahead and sky above.
- Avoid windshield wipers and heavily tinted areas.

### To mount the detector in your vehicle:

- 1 Remove backing from StickyCup mount.
- 2 Firmly press StickyCup onto windshield and flip locking clamp to secure.
- 3 Slide the detector onto the mounting bracket until it's fully engaged. The magnet inside holds the detector in place.



**4** To adjust view, loosen thumb wheel and adjust angle of mounting bracket. Tighten thumb wheel to secure.

**5** To remove detector, simply pull the detector device off the mount bracket.

**6** To remove mount from windshield, release locking clamp and pull tab on top of StickyCup.

### StickyCup Care Instructions:

To clean your StickyCup, simply rinse under warm water, gently wipe off any debris and allow to air dry.

## Controls & Features

### Using GT-7

- 1 Plug small end of SmartCord into modular jack on GT-7 and large end of SmartCord into your car's lighter/accessory socket.
- 2 GT-7 should power on automatically. If not, press the device's power button.
- 3 Upon initial power-up, GT-7 will ask you to confirm some basic Settings and Preferences. Press MRK button to scroll through and OK these Settings (or press VOLUME + and - to edit).

*NOTE: You can easily access and customize all of your Settings and Preferences by pressing and holding the MRK and SEN buttons. See Settings and Preferences for details.*



**Earphone Jack**

Connects to optional 3.5 mm stereo earphone.

**Modular Jack**

Connects to SmartCord for powering your device

**Mini USB Jack**

Connects to your computer via USB A/mini B cable for downloading software updates

### Using SmartCord

- Mute Button: Press to mute an alert; press three times to lock out a false alert; press twice while receiving a locked-out alert to unlock.
- Alert Light: Blinks orange when receiving an alert.
- Power Light: Lights blue when receiving power.



**Modular Connector**

Plugs into detector jack

**Lighter Adapter**

Connects to lighter/accessory socket

**Power**

Press to turn GT-7 on or off



**MRK**

To mark a location for future alerts, press MRK twice, then VOL + or - to select the type of marker, then MRK again to confirm. Press twice while receiving marker alert to unmark

**Display**

Showing current speed

**Display**

OverSpeed alert setting that can be adjusted in Preferences. Speed limit data will show here when connected to ESCORT Live

**Mute**

Press to mute an alert; press three times to lock out a false alert; press twice while receiving a locked-out alert to unlock

**BRT**

Press to adjust display brightness (Min, Med, Max, Auto, Dark)

**SEN**

Press to adjust detector sensitivity (Highway, AutoScan, Auto NoX)

**Volume**

Press and hold + or - to adjust volume